

15

14

13

12

11

10

9

8

7

6

5

4

3

2

1

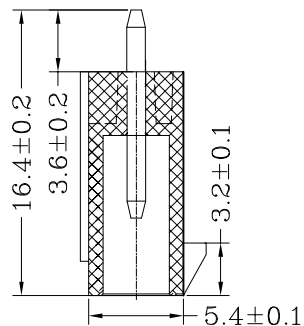
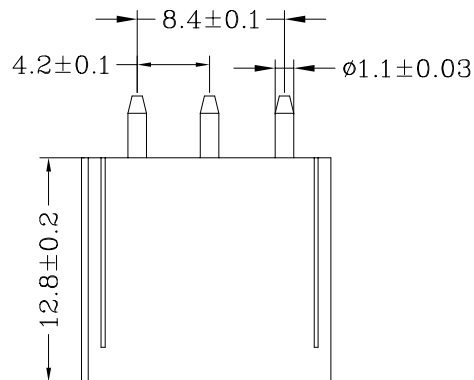
料号
Materia No类别
Category材质
The material数量/pcs
The number of pcs

4202WV-1*3P

Wafer

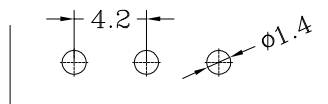
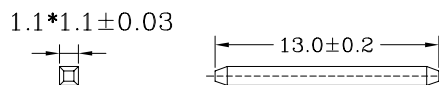
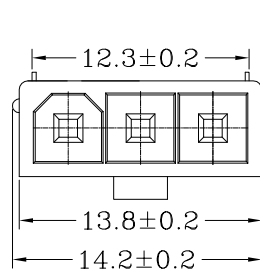
胶壳 Base	Nylon 66 UL 94V-0 (White)
Copper PIN针 Needle	Brass tin Plating

1000pcs/栋

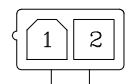


Dimensional Information:

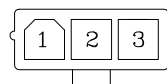
Poles	Part NO.		Dimensions mm	
	A	B	A	B
2	A4202-WV01X2	5569-1X2A	4.20	9.60
3	A4202-WV01X3	5569-1X3A	8.40	13.80
4	A4202-WV01X4	5569-1X4A	12.60	18.00
5	A4202-WV01X5	5569-1X5A	16.80	22.20



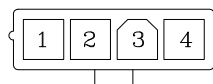
P.C.B LAYOUT



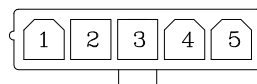
2 CKTS.



3 CKTS.



4 CKTS.



5 CKTS.

CIRCUIT SIZE LAYOUT

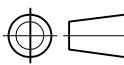
规格 Specifications

- ◆1、极数 Poles: 1X2P/1X6P to 2X1P/2X12P
- ◆2、额定电流 Current rating: 5.0A AC, DC
- ◆3、额定电压 Voltage rating: 250V AC, DC
- ◆4、温度范围 Temperature range: -25°C to +85°C
- ◆5、接触电阻 Contact resistance: ≤15mΩ
- ◆6、绝缘电阻 Insulation resistance: ≥1000mΩ
- ◆7、耐电压 Withstand voltage: 1500V AC/minute
- ◆8、适用线规 Applicable wire: AWG #18 to #22
- ◆9、适用基板厚度 (Applicable PC board thickness): 1.6mm to 2.0mm

未注公差

>0-3	>3-18	>18-50	>50-120
------	-------	--------	---------


广州市恒炜电子有限公司
 GuangZhou HengWei Electronic Co., Ltd

±0.12	±0.15	±0.3	±0.5	单位	比例	Design Units	SIZE	页码	
制作	审核	批准	MM Only	—	METRIC	A4	Part No		
姚灿瑜	陈小波	王日和	材料	图号			Part No		
			见图解	品名	4202WV-1*3P				

15

14

13

12

11

10

9

8

7

6

5

4

3

2

1