

15

14

13

12

11

10

9

8

7

6

5

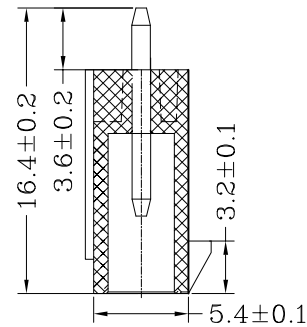
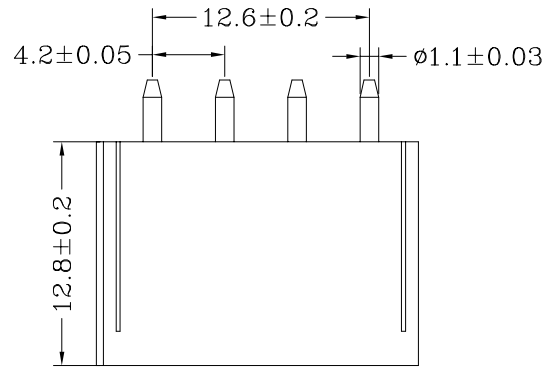
4

3

2

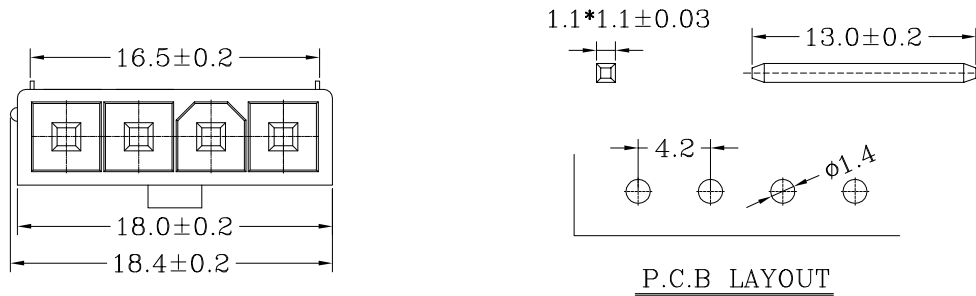
1

料号 Materia No	类别 Category	材质 The material	数量/pcs The number of pcs
4202WV-1*4P	Wafer	胶壳 Base Nylon 66 UL 94V-0 (White) PIN针 Copper Needle Brass tin Plating	1000pcs/栋

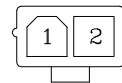


Dimensional Information:

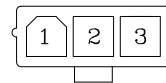
Poles	Part NO.		Dimensions mm	
			A	B
2	A4202-WV01X2	5569-1X2A	4.20	9.60
3	A4202-WV01X3	5569-1X3A	8.40	13.80
4	A4202-WV01X4	5569-1X4A	12.60	18.00
5	A4202-WV01X5	5569-1X5A	16.80	22.20



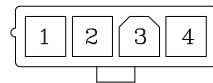
P.C.B LAYOUT



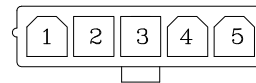
2 CKTS.



3 CKTS.



4 CKTS.



5 CKTS.

CIRCUIT SIZE LAYOUT

规格 Specifications

- ◆1、极数 Poles: 1X2P/1X6P to 2X1P/2X12P
- ◆2、额定电流 Current rating: 5.0A AC, DC
- ◆3、额定电压 Voltage rating: 250V AC, DC
- ◆4、温度范围 Temperature range: -25°C to +85°C
- ◆5、接触电阻 Contact resistance: ≤15mΩ
- ◆6、绝缘电阻 Insulation resistance: ≥1000mΩ
- ◆7、耐电压 Withstand voltage: 1500V AC/minute
- ◆8、适用线规 Applicable wire: AWG #18 to #22
- ◆9、适用基板厚度 (Applicable PC board thickness): 1.6mm to 2.0mm

未注公差				HWT 广州市恒炜电子有限公司 GuangZhou HengWei Electronic Co., Ltd					
>0-3	>3-18	>18-50	>50-120	单位	比例	Design Units	SIZE	页码	
±0.12	±0.15	±0.3	±0.5	MM Only	—	METRIC	A4		
制作	审核	批准		材料	图号				
姚灿瑜	陈小波	王日和		见图解	品名	4202WV-1*4P			

15

14

13

12

11

10

9

8

7

6

5

4

3

2

1