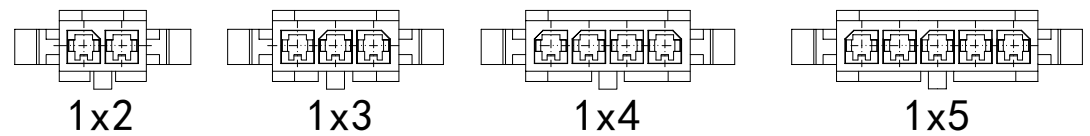
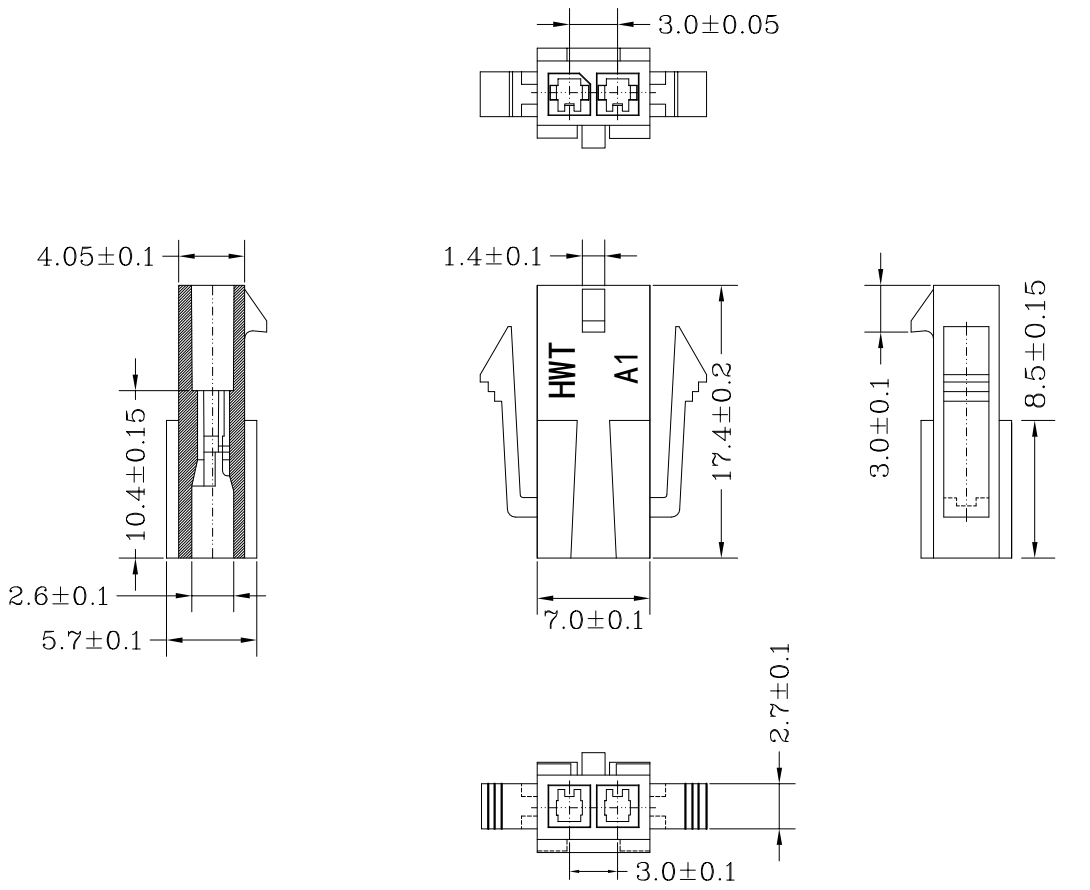


|                   |                |                           |           |
|-------------------|----------------|---------------------------|-----------|
| 料号<br>Material No | 类别<br>Category | 材质<br>The material        | 数量/pcs    |
| C3003H-1*2P有耳     | Housing        | Nylon 66 UL 94V-0 (Black) | 1000pcs/包 |

| Poles | Part NO.   |             | Dimensions mm |       |
|-------|------------|-------------|---------------|-------|
|       |            |             | A             | B     |
| 2     | 3003H-1*2P | MX3.0H-1*2P | 3.00          | 7.00  |
| 3     | 3003H-1*3P | MX3.0H-1*3P | 6.00          | 10.00 |
| 4     | 3003H-1*4P | MX3.0H-1*4P | 9.00          | 13.00 |
| 5     | 3003H-1*5P | MX3.0H-1*5P | 12.00         | 16.00 |

■ 规格 Specifications

- ◆1、极数 Poles: 1X2P/1X6P to 2X1P/2X12P
- ◆2、额定电流 Current rating: 5.0A AC, DC
- ◆3、额定电压 Voltage rating: 250V AC, DC
- ◆4、温度范围 Temperature range: -25°C to +85°C
- ◆5、接触电阻 Contact resistance: ≤15mΩ
- ◆6、绝缘电阻 Insulation resistance: ≥1000mΩ
- ◆7、耐电压 Withstand voltage: 1500V AC/minute
- ◆8、适用线规 Applicable wire: AWG #30 to #20
- ◆9、适用基板厚度 (Applicable PC board thickness):  
1.6mm to 2.0mm



|             |       |        |         |  |    |                          |      |    |  |
|-------------|-------|--------|---------|--|----|--------------------------|------|----|--|
| 未注公差        |       |        |         | HWT 广州市恒炜电子有限公司<br>GuangZhou HengWei Electronic Co., Ltd |    |                          |      |    |  |
| >0-3        | >3-18 | >18-50 | >50-120 | 单位   | 比例 | Design Units             | SIZE | 页码 |  |
| ±0.12       | ±0.15 | ±0.3   | ±0.5    | MM Only  | —  | METRIC                   | A4   |    |  |
| 制作 审核 批准    |       |        |         | 材料   | 图号 | Part No                  |      |    |  |
| 姚灿瑜 陈小波 王日和 |       |        |         | 见图解  | 品名 | MX3.0 (C3003H) -1 × 2P有耳 |      |    |  |