

15

14

13

12

11

10

9

8

7

6

5

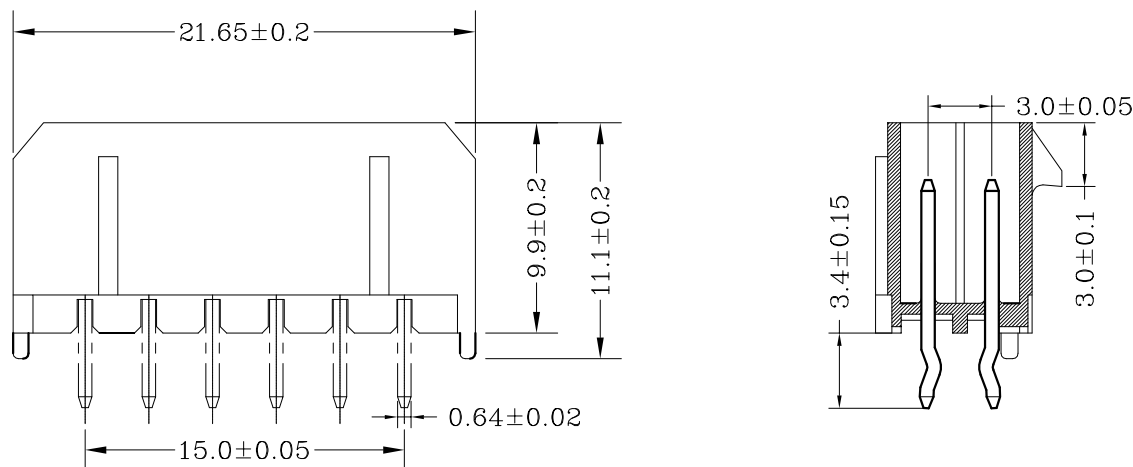
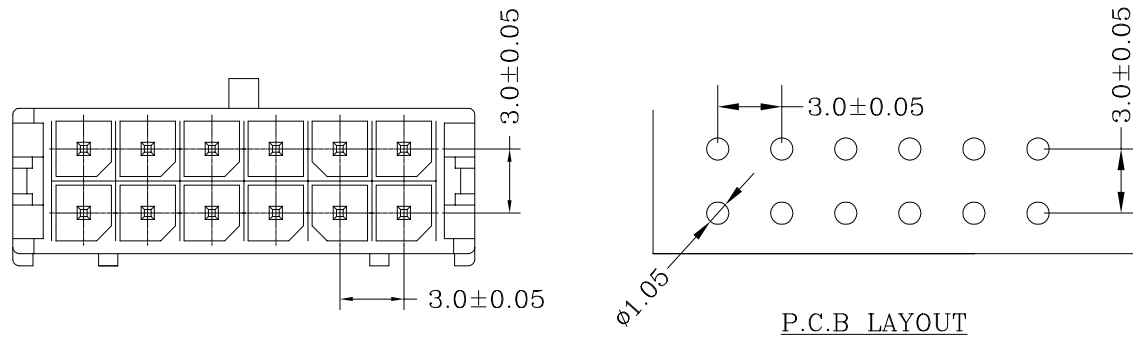
4

3

2

1

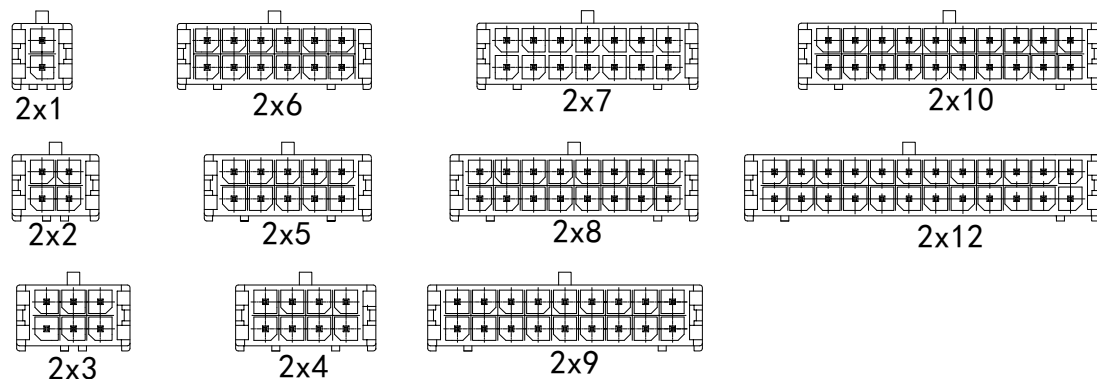
料号 Material No	类别 Category	材质 The material	数量/pcs The number of pcs
C3004WV-2*6P	Wafer	板壳 Base PIN针 Copper Needle W/10n 66 UL 94V-0 (Black) Brass tin Plating	1000pcs/栋



Poles	Part NO.		Dimensions mm	
	A	B	A	B
2	C3004WV-2X1P	MX3.0-2X1WV	—	6.65
4	C3004WV-2X2P	MX3.0-2X2WV	3.00	9.65
6	C3004WV-2X3P	MX3.0-2X3WV	6.00	12.65
8	C3004WV-2X4P	MX3.0-2X4WV	9.00	15.65
10	C3004WV-2X5P	MX3.0-2X5WV	12.00	18.65
12	C3004WV-2X6P	MX3.0-2X6WV	15.00	21.65
14	C3004WV-2X7P	MX3.0-2X7WV	18.00	24.65
16	C3004WV-2X8P	MX3.0-2X8WV	21.00	27.65
18	C3004WV-2X9P	MX3.0-2X9WV	24.00	30.65
20	C3004WV-2X10P	MX3.0-2X10WV	27.00	33.65
22	C3004WV-2X11P	MX3.0-2X11WV	30.00	36.65
24	C3004WV-2X12P	MX3.0-2X12WV	33.00	39.65

### 规格 Specifications

- ◆1、极数 Poles: 1X2P/1X6P to 2X1P/2X12P
- ◆2、额定电流 Current rating: 5.0A AC, DC
- ◆3、额定电压 Voltage rating: 250V AC, DC
- ◆4、温度范围 Temperature range: -25°C to +85°C
- ◆5、接触电阻 Contact resistance:  $\leq 15m\Omega$
- ◆6、绝缘电阻 Insulation resistance:  $\geq 1000m\Omega$
- ◆7、耐电压 Withstand voltage: 1500V AC/minute
- ◆8、适用线规 Applicable wire: AWG #30 to #20
- ◆9、适用基板厚度 (Applicable PC board thickness): 1.6mm to 2.0mm



未注公差				HWT 广州市恒炜电子有限公司 GuangZhou HengWei Electronic Co., Ltd					
>0-3	>3-18	>18-50	>50-120	单位	比例	Design Units	SIZE	页码	
±0.12	±0.15	±0.3	±0.5	MM Only	—	METRIC	A4		
制作	审核	批准	材料	图号	Part No				
姚灿瑜	陈小波	王日和	见图解	品名	MX3.0(3004) WV-2×6P直针				

15

14

13

12

11

10

9

8

7

6

5

4

3

2

1