

15

14

13

12

11

10

9

8

7

6

5

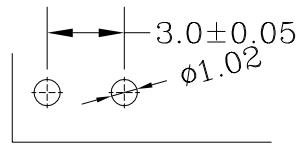
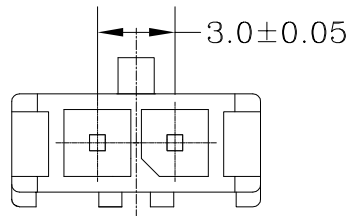
4

3

2

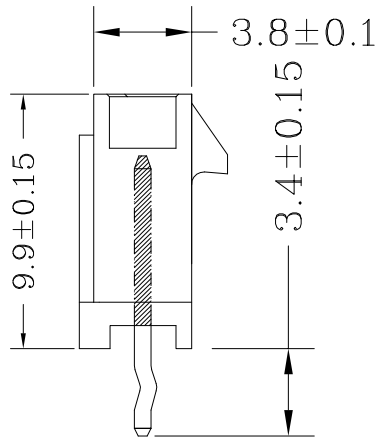
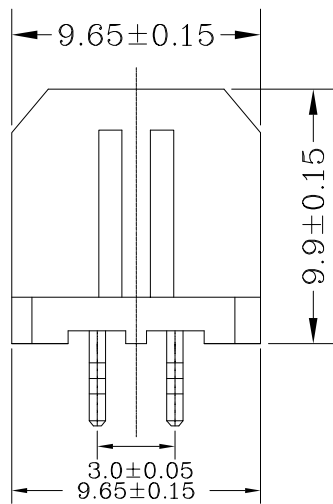
1

料号 Material No	类别 Category	材质 The material		数量/pcs The number of pcs
C3004WV-1*2P直针	Wafer	Base Copper Needle	Nylon 66 UL 94V-0 (Black) Brass tin Plating	1000pcs/包



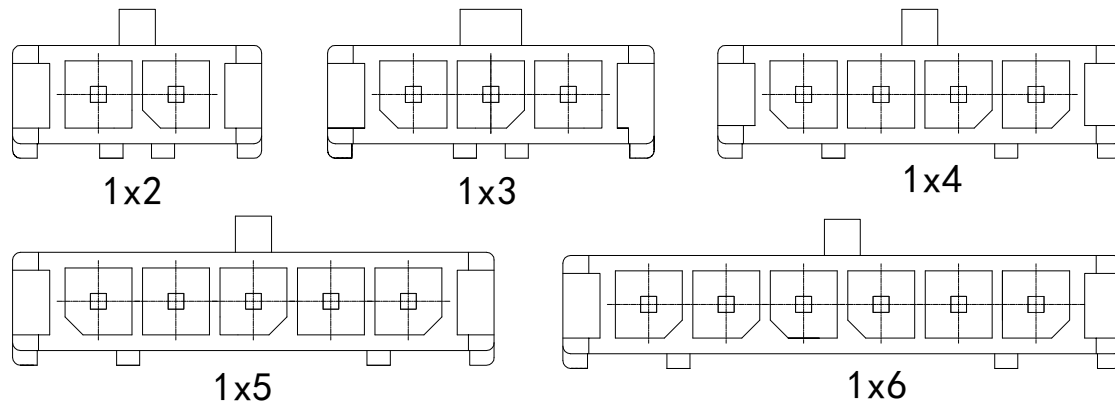
P. C. B LAYOUT

Poles	Part NO.		Dimensions mm	
			A	B
2	C3004WV-1X2P	MX3.0-1X2PWV	3.00	9.65
3	C3004WV-1X3P	MX3.0-1X3PWV	6.00	12.65
4	C3004WV-1X4P	MX3.0-1X4PWV	9.00	15.65
5	C3004WV-1X5P	MX3.0-1X5PWV	12.00	18.65
6	C3004WV-1X6P	MX3.0-1X6PWV	15.00	21.65



### 规格 Specifications

- ◆1、极数 Poles: 1X2P/1X6P to 2X1P/2X12P
- ◆2、额定电流 Current rating: 5.0A AC, DC
- ◆3、额定电压 Voltage rating: 250V AC, DC
- ◆4、温度范围 Temperature range: -25°C to +85°C
- ◆5、接触电阻 Contact resistance: ≤15mΩ
- ◆6、绝缘电阻 Insulation resistance: ≥1000mΩ
- ◆7、耐电压 Withstand voltage: 1500V AC/minute
- ◆8、适用线规 Applicable wire: AWG #30 to #20
- ◆9、适用基板厚度 (Applicable PC board thickness): 1.6mm to 2.0mm



未注公差				HWT 广州市恒炜电子有限公司 GuangZhou HengWei Electronic Co., Ltd					
>0-3	>3-18	>18-50	>50-120	单位	比例	Design Units	SIZE	页码	
±0.12	±0.15	±0.3	±0.5	MM Only	—	METRIC	A4		
制作 审核 批准				材料	图号				
姚灿瑜 陈小波 王日和				见图解	品名	3004WV-1×2P直针			

15

14

13

12

11

10

9

8

7

6

5

4

3

2

1