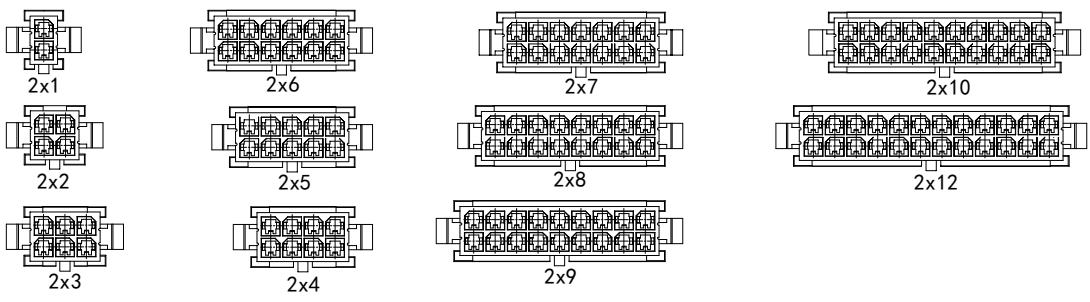
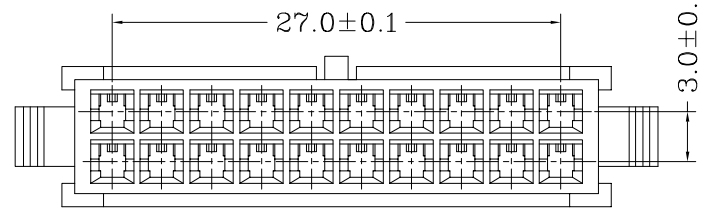
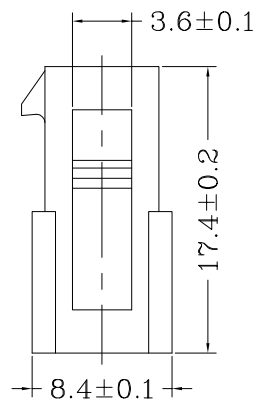
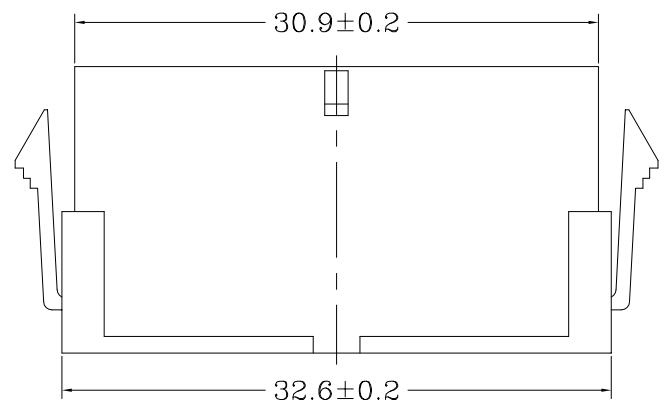
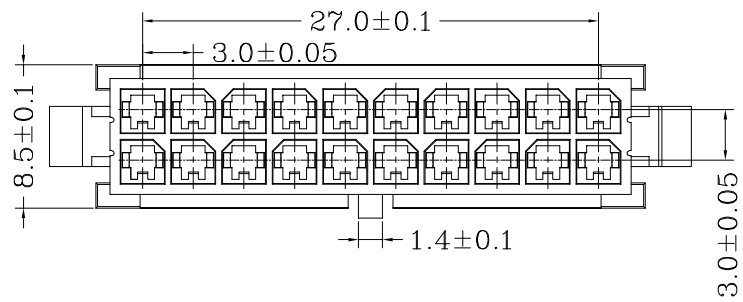


料号 Material No	类别 Category	材质 The material	数量/pcs
C3003H-2*10P有耳	Housing	Nylon 66 UL 94V-0 (Black)	1000pcs/包



Poles	Part NO.		Dimensions mm	
			A	B
2	C3003H-2*1P	MX3.0H2×1P	--	5.60
4	C3003H-2*2P	MX3.0H2×2P	3.00	8.60
6	C3003H-2*3P	MX3.0H2×3P	6.00	11.60
8	C3003H-2*4P	MX3.0H2×4P	9.00	14.60
10	C3003H-2*5P	MX3.0H2×5P	12.00	17.60
12	C3003H-2*6P	MX3.0H2×6P	15.00	20.60
14	C3003H-2*7P	MX3.0H2×7P	18.00	23.60
16	C3003H-2*8P	MX3.0H2×8P	21.00	26.60
18	C3003H-2*9P	MX3.0H2×9P	24.00	29.60
20	C3003H-2*10P	MX3.0H2×10P	27.00	32.60
22	C3003H-2*11P	MX3.0H2×11P	30.00	35.60
24	C3003H-2*12P	MX3.0H2×12P	33.00	38.60

规格 Specifications

- ◆1、极数 Poles: 1X2P/1X6P to 2X1P/2X12P
- ◆2、额定电流 Current rating: 5.0A AC, DC
- ◆3、额定电压 Voltage rating: 250V AC, DC
- ◆4、温度范围 Temperature range: -25°C to +85°C
- ◆5、接触电阻 Contact resistance: ≤15mΩ
- ◆6、绝缘电阻 Insulation resistance: ≥1000mΩ
- ◆7、耐电压 Withstand voltage: 1500V AC/minute
- ◆8、适用线规 Applicable wire: AWG #30 to #20
- ◆9、适用基板厚度 (Applicable PC board thickness): 1.6mm to 2.0mm

未注公差				HWT 广州市恒炜电子有限公司 GuangZhou HengWei Electronic Co., Ltd					
>0-3	>3-18	>18-50	>50-120	单位	比例	Design Units	SIZE	页码	
±0.12	±0.15	±0.3	±0.5	MM Only	—	METRIC	A4	Part No	
制作	审核	批准	材料	图号					
姚灿瑜	陈小波	王日和	见图解	品名	MX3.0 (C3003H) -2×10P有耳				