

15

14

13

12

11

10

9

8

7

6

5

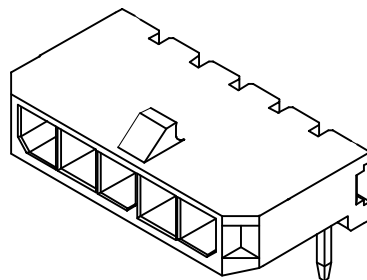
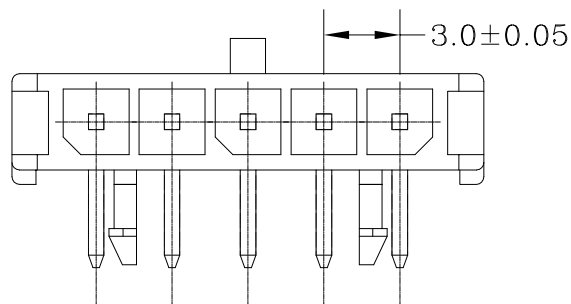
4

3

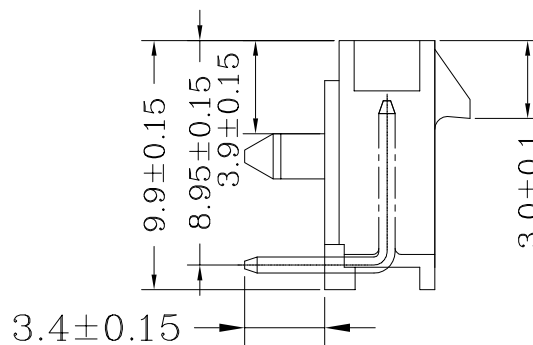
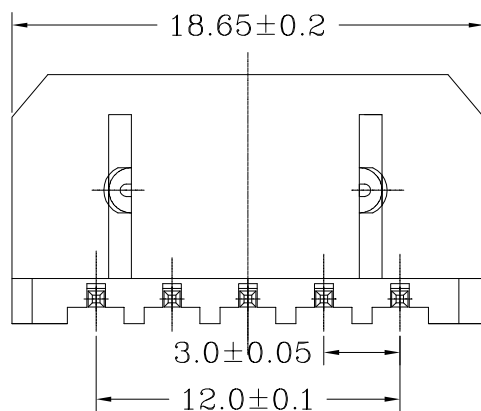
2

1

| | | | | |
|-------------------|----------------|-----------------------|--|-----------------------------|
| 料号 Material No | 类别 Category | 材质 The material | | 数量/pcs The number of pcs |
| C3004WR-1*5P | Wafer | Base Copper Needle | Nylon 66 UL 94V-0 (Black) Brass tin Plating | 1000pcs/栋 |

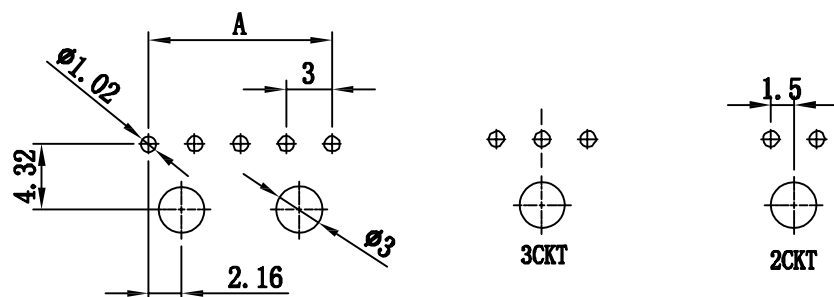
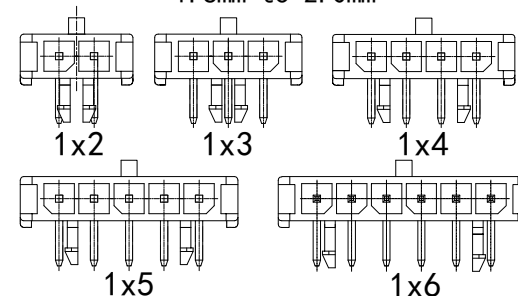


| Poles | Part NO. | | Dimensions mm | |
|-------|--------------|--------------|---------------|-------|
| | A | B | A | B |
| 2 | C3004WR-1X2P | MX3.0-1X2PWR | 3.00 | 9.65 |
| 3 | C3004WR-1X3P | MX3.0-1X3PWR | 6.00 | 12.65 |
| 4 | C3004WR-1X4P | MX3.0-1X4PWR | 9.00 | 15.65 |
| 5 | C3004WR-1X5P | MX3.0-1X5PWR | 12.00 | 18.65 |
| 6 | C3004WR-1X6P | MX3.0-1X6PWR | 15.00 | 21.65 |



规格 Specifications

- ◆1、极数 Poles: 1X2P/1X6P to 2X1P/2X12P
- ◆2、额定电流 Current rating: 5.0A AC, DC
- ◆3、额定电压 Voltage rating: 250V AC, DC
- ◆4、温度范围 Temperature range: -25°C to +85°C
- ◆5、接触电阻 Contact resistance: ≤15mΩ
- ◆6、绝缘电阻 Insulation resistance: ≥1000mΩ
- ◆7、耐电压 Withstand voltage: 1500V AC/minute
- ◆8、适用线规 Applicable wire: AWG #30 to #20
- ◆9、适用基板厚度 (Applicable PC board thickness): 1.6mm to 2.0mm



P. C. B LAYOUT

| 未注公差 | | | | HWT 广州市恒炜电子有限公司 GuangZhou HengWei Electronic Co., Ltd | | | | | |
|-------|-------|--------|---------|--|----|----------------------|------|---------|--|
| >0-3 | >3-18 | >18-50 | >50-120 | 单位 | 比例 | Design Units | SIZE | 页码 | |
| ±0.12 | ±0.15 | ±0.3 | ±0.5 | MM Only | — | METRIC | A4 | | |
| 制作 | 审核 | 批准 | | 材料 | 图号 | | | Part No | |
| 姚灿瑜 | 陈小波 | 王日和 | | 见图解 | 品名 | MX3.0 (3004WR) -1X5P | | | |

15

14

13

12

11

10

9

8

7

6

5

4

3

2

1